



Main

Range of product	Modicon Momentum automation platform
Product or component type	Analogue output base

Complementary

Analogue output number	4
Data format	Full 16 bits signed
Analogue output range	+/- 10 V 12 bits + sign ≥ 1 kOhm 4...20 mA 12 bits + sign ≤ 0.6 kOhm
Load capacitance	$< 1 \mu\text{F}$
Absolute accuracy error	+/- 0.2 % of full scale +/- 10 V 77 °F (25 °C) +/- 0.25 % full scale +/- 10 V 140 °F (60 °C) +/- 0.4 % of full scale 4...20 mA 77 °F (25 °C) +/- 0.5 % of full scale 4...20 mA 140 °F (60 °C)
Temperature drift	10 %oFS/°C +/- 10 V 140 °F (60 °C) 30 %oFS/°C 4...20 mA 140 °F (60 °C)
Update time	2 ms
Full scale	10 V +/- 10 V 2 mA 4...20 mA
Fail state	Hold Reset to zero Reset to full scale
Isolation between channels and ground	500 V AC for 1 minute
Power dissipation in W	≤ 8.5 W
Protection type	Internal 2 A slow-blow
Output short-circuit protection	With in voltage circuit
External power requirement	+/- 30 V DC 24 V DC
Permissible common mode voltage	250 V 47...63 Hz AC between channels to ground 250 V 47...63 Hz DC
Reverse polarity protection	Internal

Marking	CE
Local signalling	4 LEDs channel status
Current consumption	150 mA 24 V DC actuator 530 mA 24 V DC base
Module format	Standard
Height	4.92 in (125 mm)
Depth	1.87 in (47.5 mm)
Width	5.57 in (141.5 mm)
Product weight	0.47 lb(US) (0.215 kg)

Environment

Product certifications	UL CSA
Protective treatment	TC
Resistance to electrostatic discharge	4 kV contact IEC 801-2 8 kV on air IEC 801-2
Resistance to electromagnetic fields	9.14 V/yd (10 V/m) 80...1000 MHz IEC 801-3
Ambient air temperature for operation	32...140 °F (0...60 °C)
Ambient air temperature for storage	-40...185 °F (-40...85 °C)
Relative humidity	95 % without condensation
Operating altitude	<= 16404.2 ft (5000 m)

Offer Sustainability

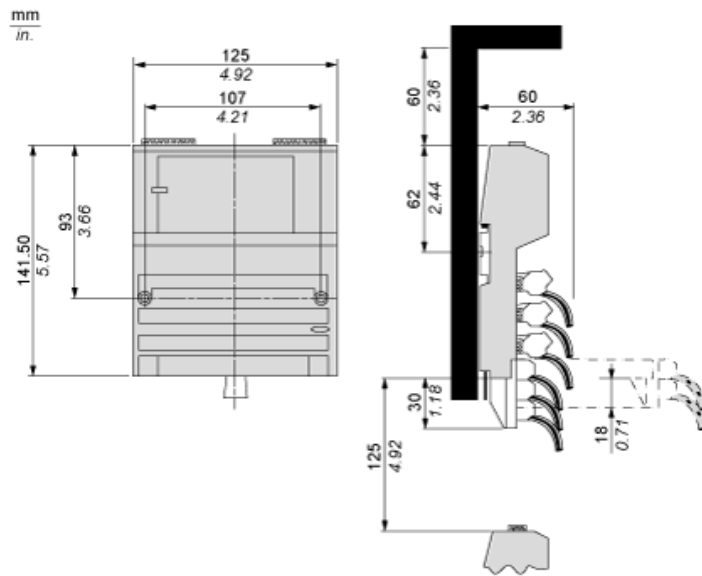
Sustainable offer status	Green Premium product
RoHS (date code: YYWW)	Compliant Schneider Electric declaration of conformity
REACH	Reference not containing SVHC above the threshold Reference not containing SVHC above the threshold
Product environmental profile	Available Product Environmental Profile
Product end of life instructions	Available

Contractual warranty

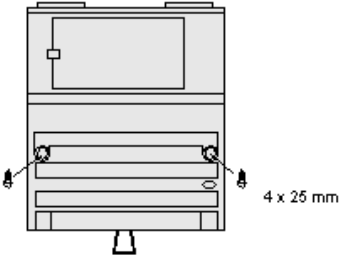
Warranty period	18 months
-----------------	-----------

Standard Adapter on a Typical Base

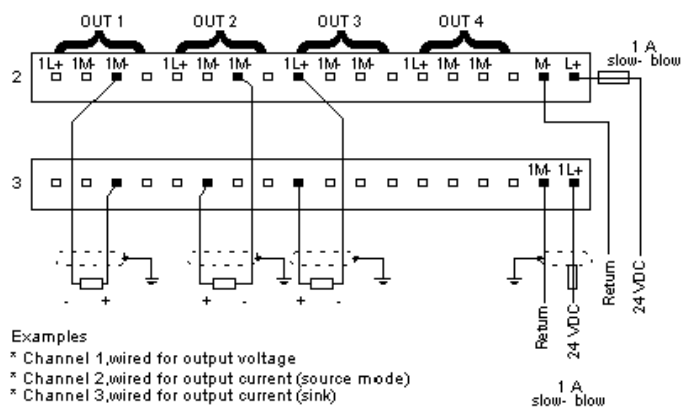
Dimensions



Mounting on a Wall



External Wiring Diagram



Internal Pin Connections

