



Main

Range of product	Modicon Momentum automation platform
Product or component type	Discrete output base DC
Group of channels	2 groups of 8 outputs
Discrete output number	16
Discrete output type	Solid state switch
Discrete output voltage	24 V DC
Current per channel	≤ 0.5 A
Short-circuit protection	Outputs electronically protected
Protective treatment	Conformal coating Humiseal 1A33 TC

Complementary

System Voltage	24 V DC
Discrete output current	4 A per group 8 A per module
Leakage current	< 1 mA 24 V DC
Surge current	5 A 1 ms
Voltage drop	< 0.5 V 0.5 A at state 1
Output overload protection	Outputs electronically protected
Response time	0.1 ms from state 0 to state 1 0.1 ms from state 1 to state 0
Isolation between channels and bus	500 V AC
Power dissipation	3.5 W typical 4.5 W maximum
Marking	CE
Local signalling	16 LEDs channel status
Current consumption	250 mA 24 V DC
Terminals description PLC n°1	(1)OUT_DIS#1 (10)OUT_DIS#10 (11)OUT_DIS#11 (12)OUT_DIS#12 (13)OUT_DIS#13 (14)OUT_DIS#14 (15)OUT_DIS#15 (16)OUT_DIS#16

Disclaimer: This documentation is not intended as a substitute for and is not to be used for determining suitability or reliability of these products for specific user applications

(1L+)PW_POS
 (2)OUT_DIS#2
 (2L+)PW_POS
 (3)OUT_DIS#3
 (4)OUT_DIS#4
 (5)OUT_DIS#5
 (6)OUT_DIS#6
 (7)OUT_DIS#7
 (8)OUT_DIS#8
 (9)OUT_DIS#9
 (L+)PW_POS
 (M-)PW_NEG
 TB

Depth	1.87 in (47.5 mm)
Height	5.57 in (141.5 mm)
Width	4.92 in (125 mm)
Product weight	0.46 lb(US) (0.21 kg)

Environment

Product certifications	CSA FM Class 1 Division 2 UL
Resistance to electrostatic discharge	4 kV contact IEC 801-2 8 kV on air IEC 801-2
Resistance to electromagnetic fields	9.14 V/yd (10 V/m) 80...1000 MHz IEC 801-3
Ambient air temperature for operation	32...140 °F (0...60 °C)
Ambient air temperature for storage	-40...185 °F (-40...85 °C)
Relative humidity	95 % without condensation
Operating altitude	<= 16404.2 ft (5000 m)

Offer Sustainability

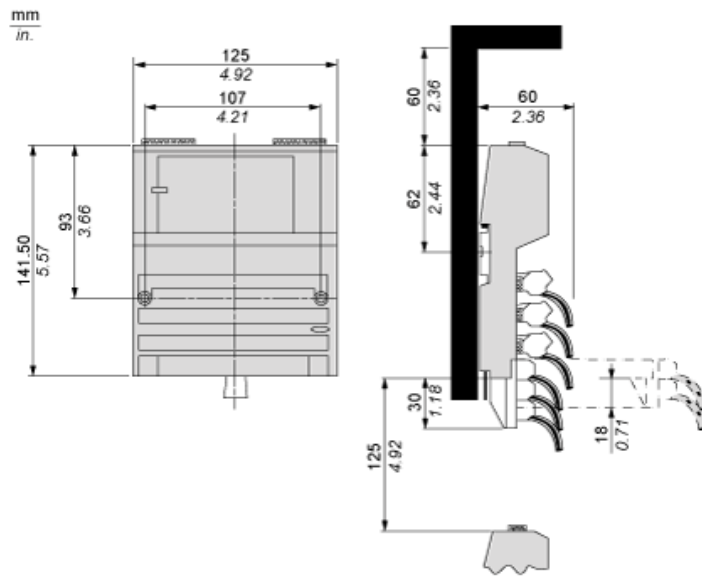
RoHS (date code: YYWW)	Will be compliant Will be compliant
------------------------	----------------------------------------

Contractual warranty

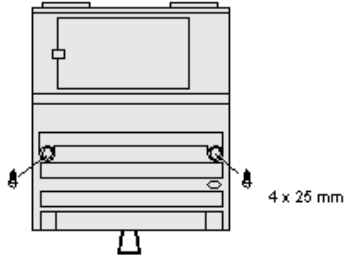
Warranty period	18 months
-----------------	-----------

Standard Adapter on a Typical Base

Dimensions

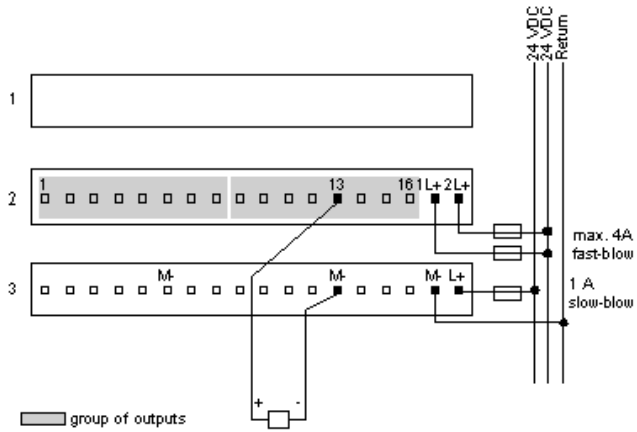


Mounting on a Wall

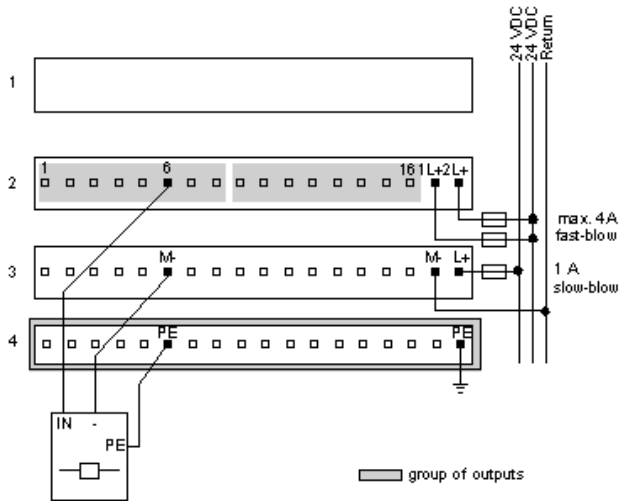


External Wiring Diagrams

2-Wire Actuator



3-Wire Actuator



Internal Pin Connections

Rows 1 through 3 show the internal connections between terminals on the I/O base. Row 4 shows the internal connections on the optional busbar.

